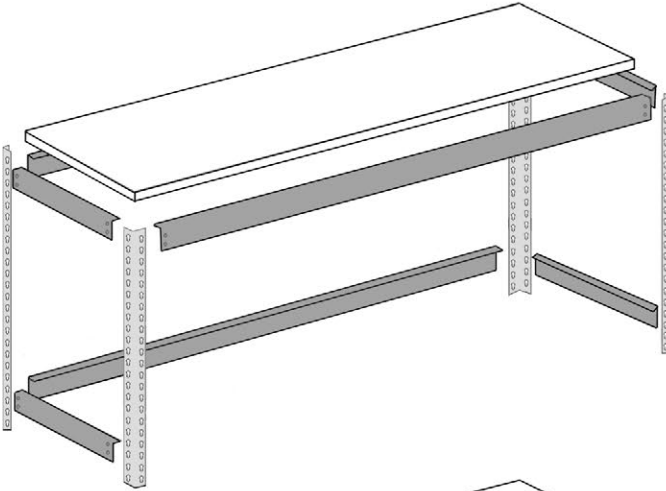


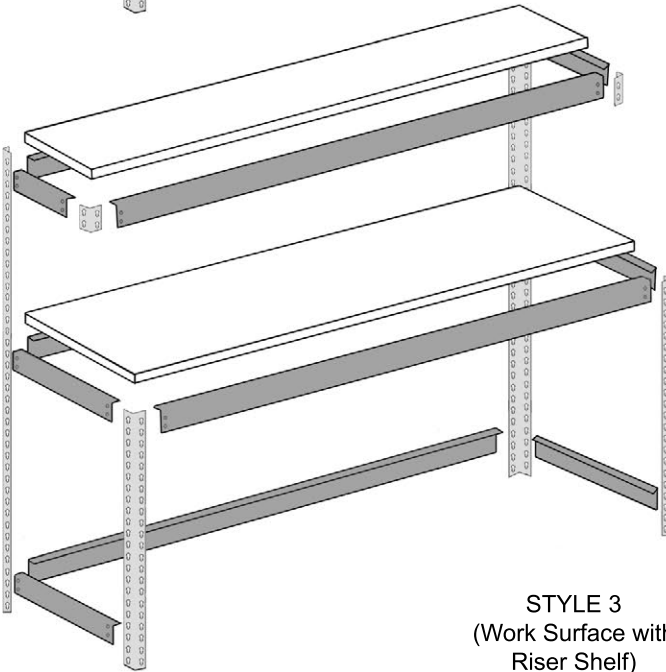
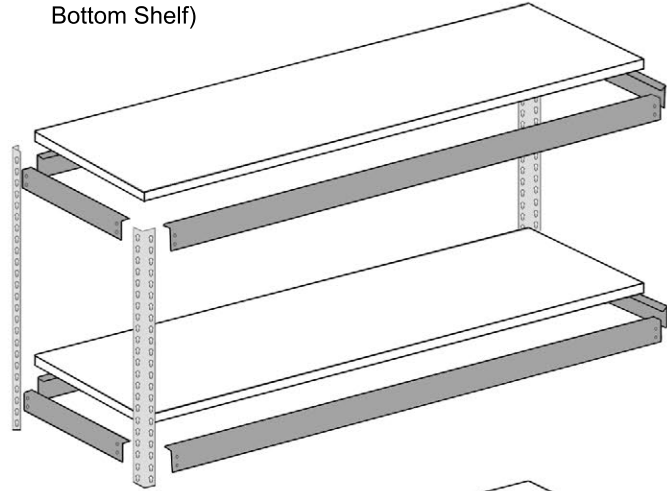
# Assembly Instructions

## Workbench - Rivet System

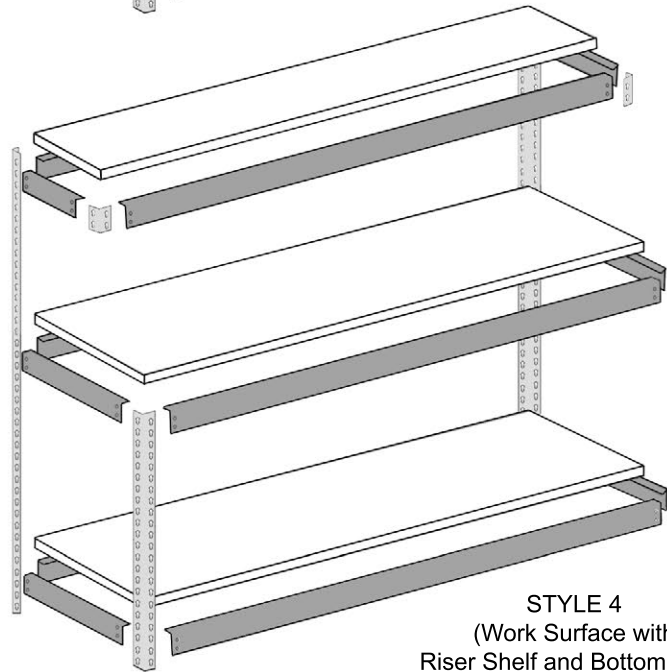
STYLE 1  
(Work Surface Only)



STYLE 2  
(Work Surface with  
Bottom Shelf)

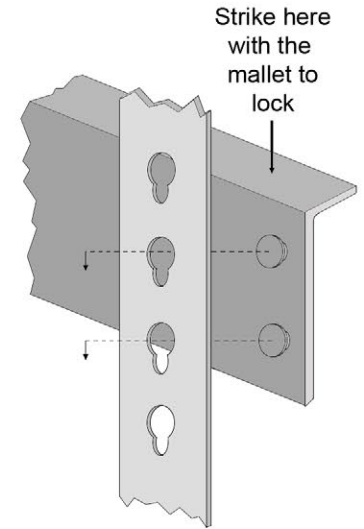


STYLE 3  
(Work Surface with  
Riser Shelf)



STYLE 4  
(Work Surface with  
Riser Shelf and Bottom Shelf)

NOTE: Keyholes are tapered to ensure rivets fit properly when beams are struck firmly with a hammer or mallet.



1. Using a hammer or mallet, tap double rivet beams into upright posts to form the base (bottom shelf).
2. Tap double rivet beams into top of upright posts to create top shelf.
3. Place wood shelves into position.

# CALRACKS

3611 E. La Palma Ave Ste. B  
Anaheim, CA 92806

800-244-3611