

RIVET SYSTEM™

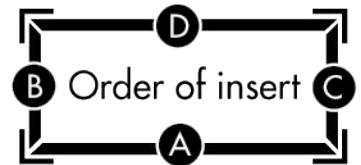
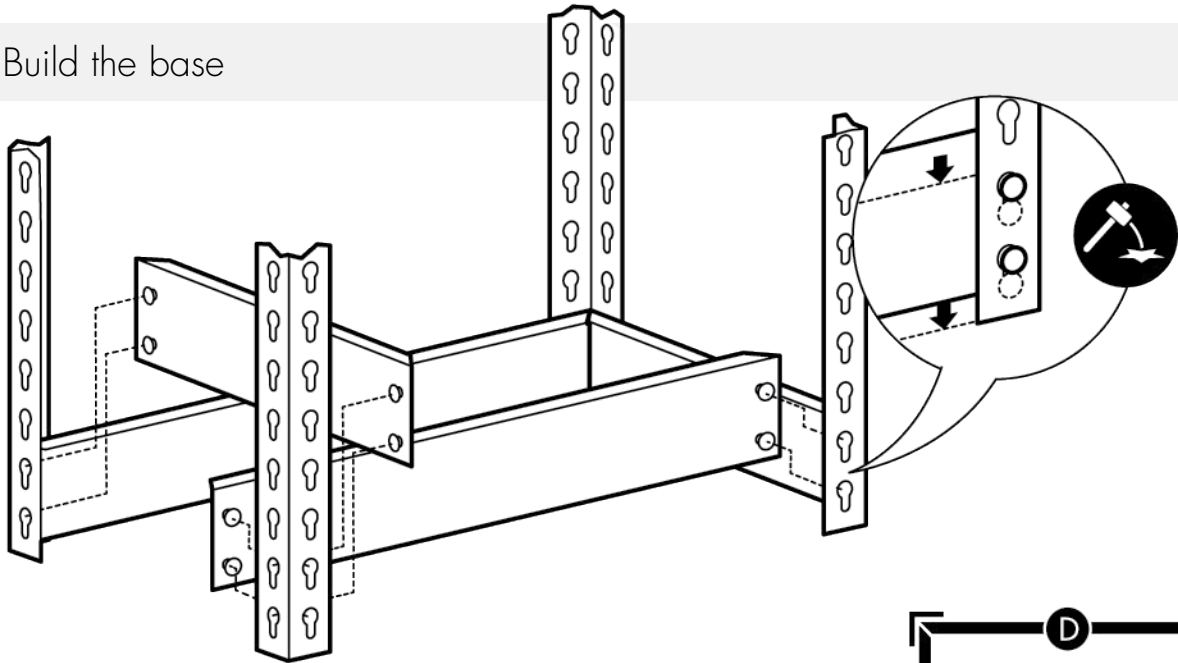
Series 1, 4, and 6

CALRACKS

Still need help? Give us a call at:

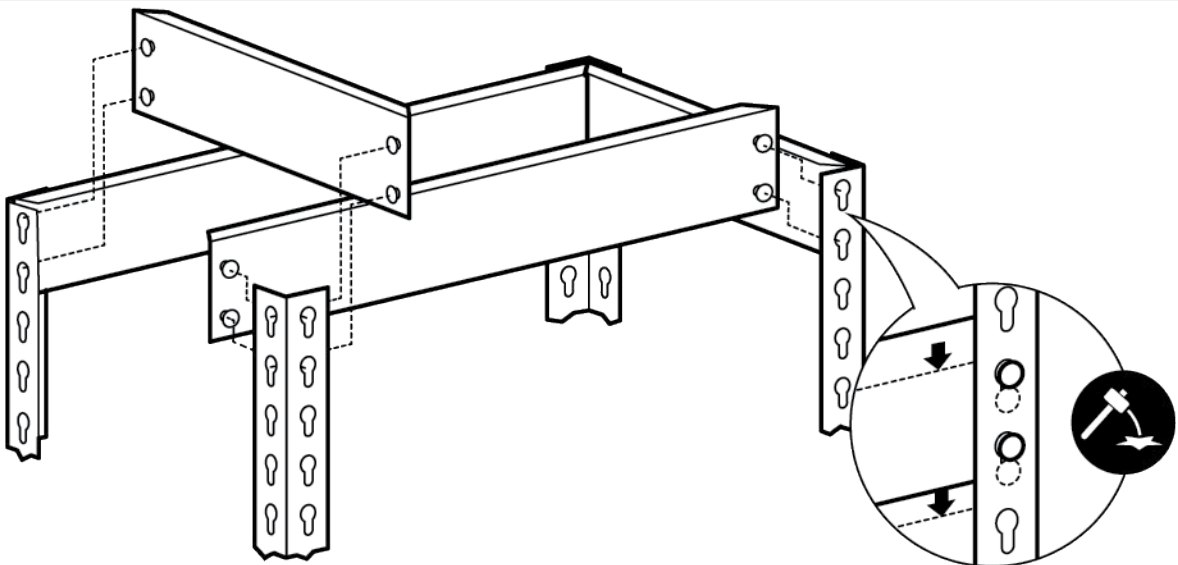
800-244-3611

Step 1 Build the base

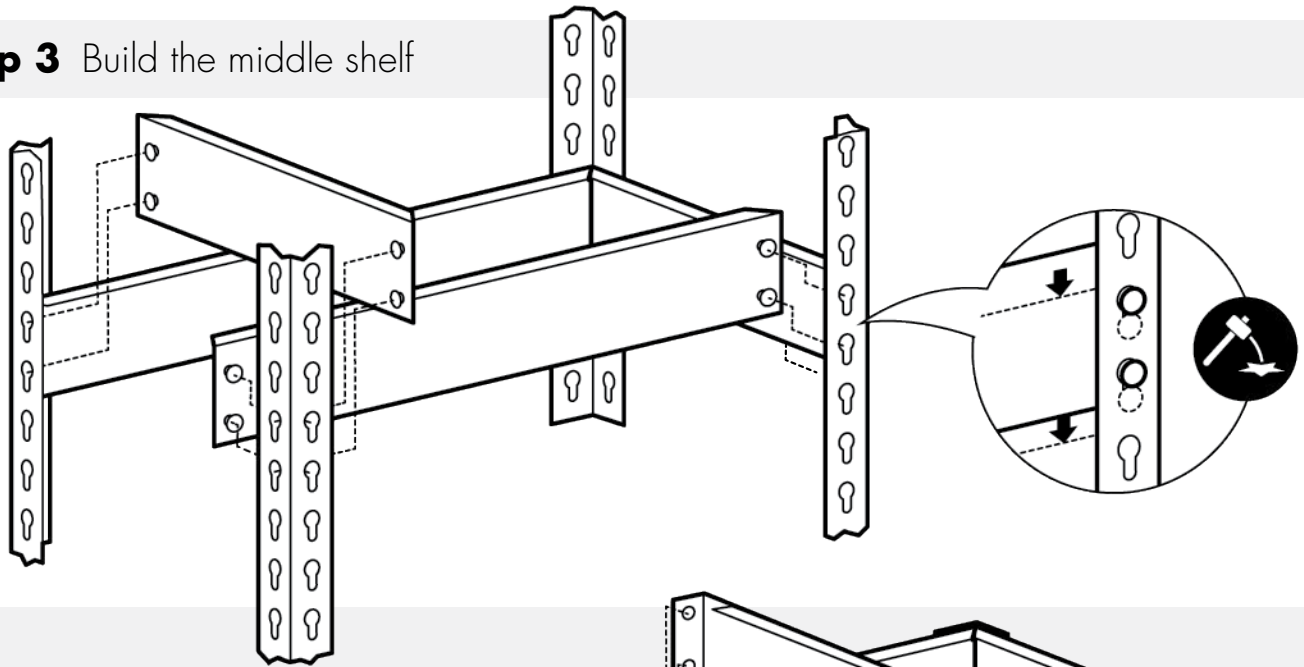


Note: Flange should be facing up on each beam when inserted into post, as the wood will lay on this flange.

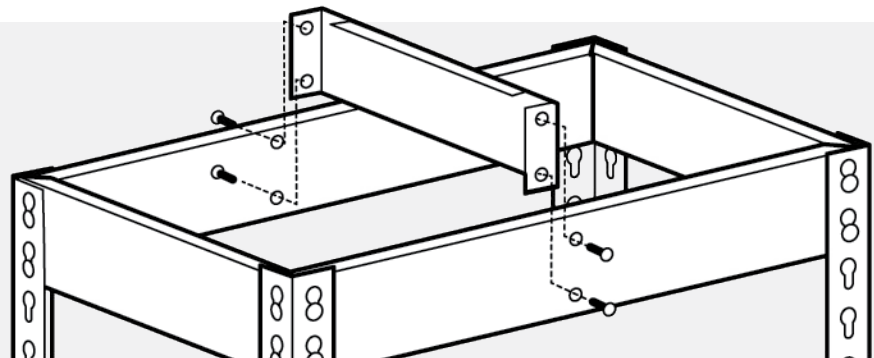
Step 2 Build the top



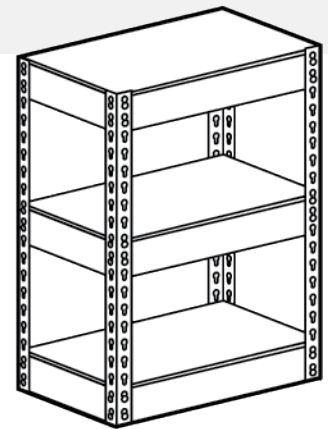
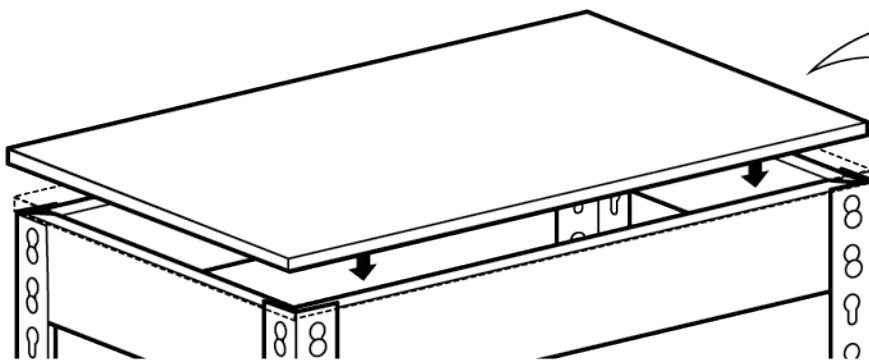
Step 3 Build the middle shelf



Note: There will be an additional step to install a shelf deck support in all Rivet System models containing the letter "H".



Step 4 Place the shelf board on top of each level



Space between each shelf in Inches

	number of shelves							
	3	4	5	6	7	8	9	10
7	37,5	24	17,25	11	10,5	8,6	7,1	6
8	43,5	28	20,25	15,6	12,5	10,3	8,6	7,3
9	49,5	32	23,25	18	14,5	12	10,1	8,7
10	55,5	36	26,25	20,4	16,5	13,7	11,6	10
12	67,5	44	32,25	25,2	20,5	17,1	14,6	12,7

Numer of Rivet Holes between each shelf

	number of shelves							
	3	4	5	6	7	8	9	10
7	25	16	12	11	7	6	5	4
8	29	19	14	10	8	7	6	5
9	33	22	16	12	10	8	7	6
10	37	24	18	14	11	9	8	7
12	45	29	22	17	14	11	10	8