

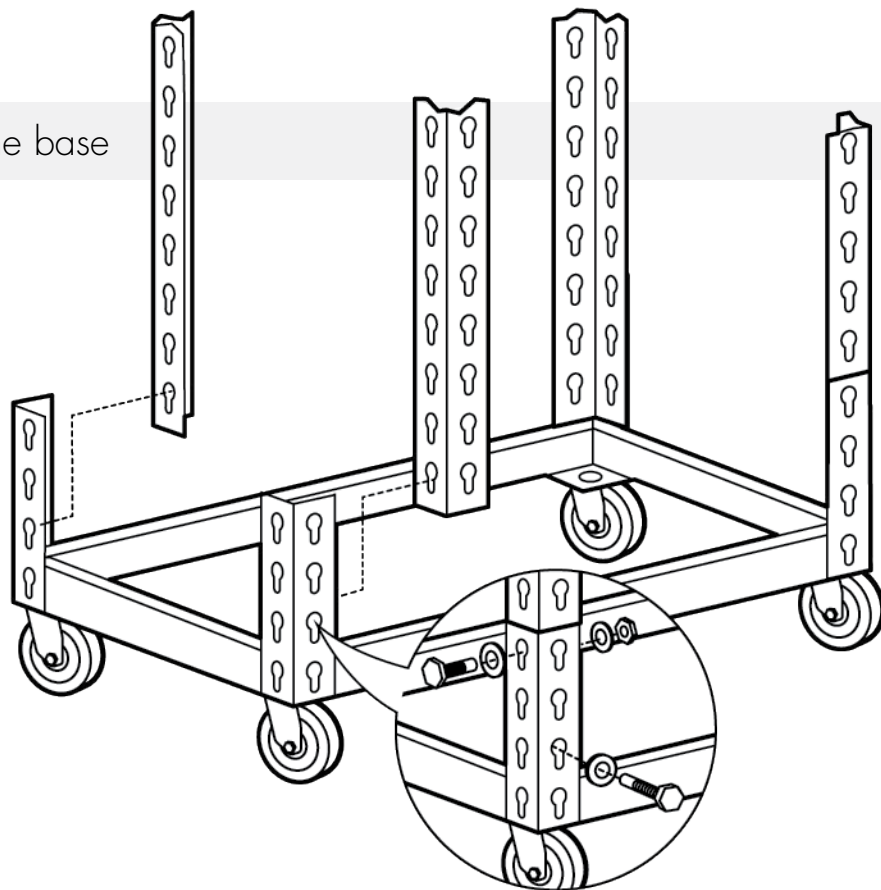
# MOBILE RIVET SYSTEM™ SHELVING UNITS

# CALRACKS

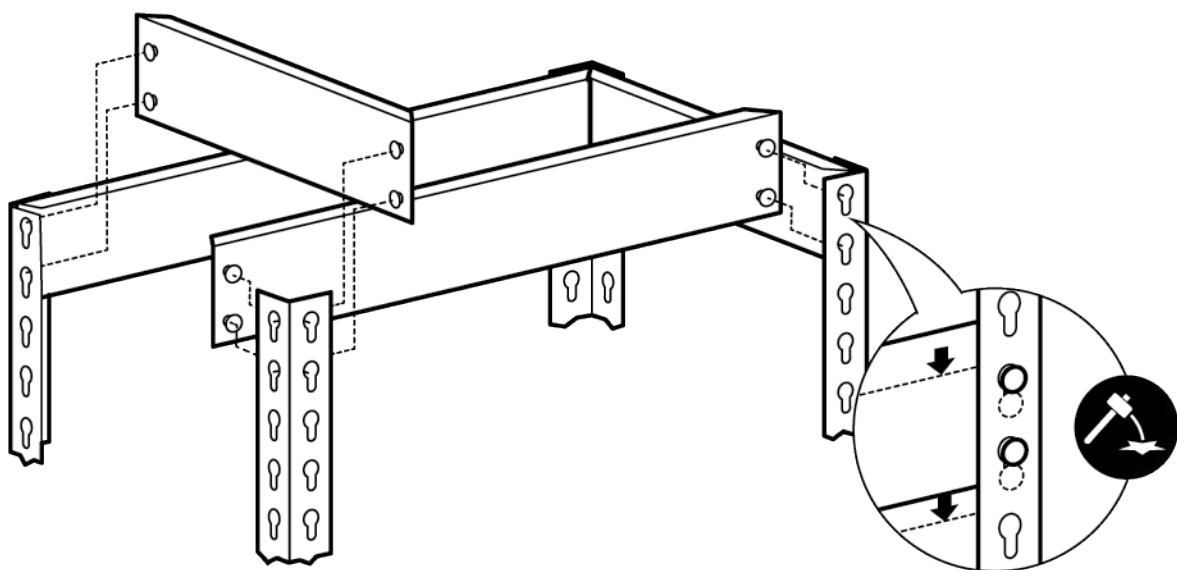
Still need help? Give us a call at:

**800-244-3611**

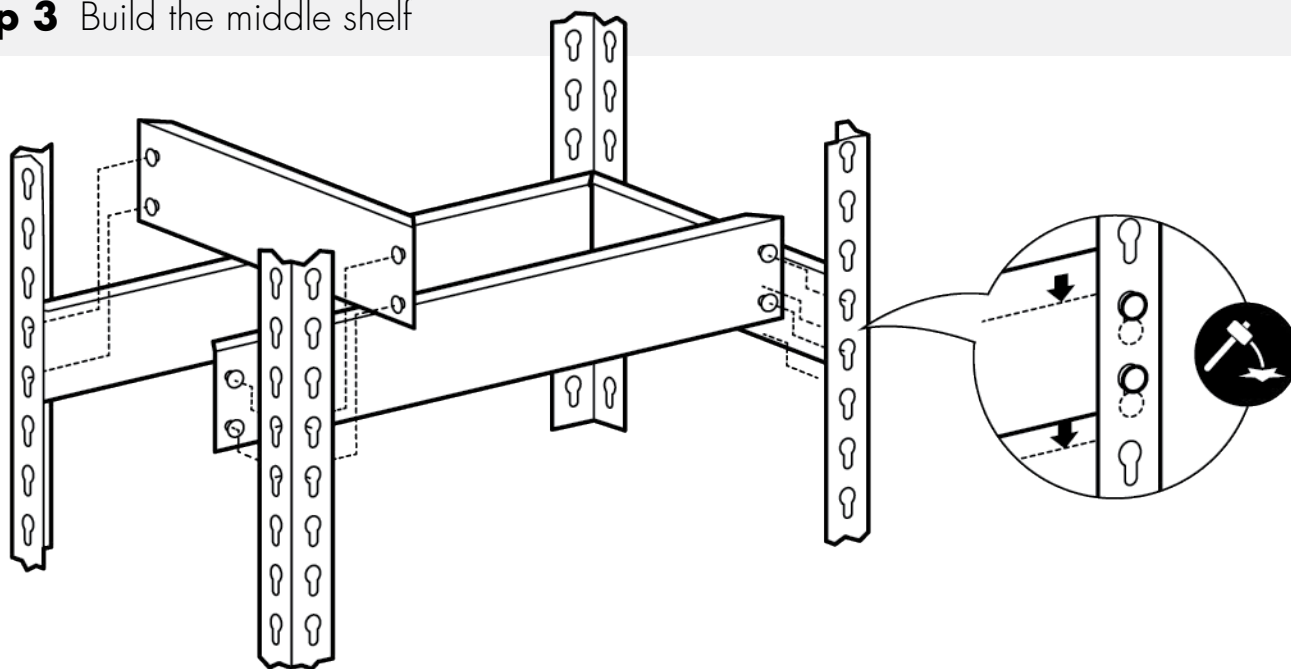
## Step 1 Build the base



## Step 2 Build the top



**Step 3** Build the middle shelf



**Step 4** Place the shelf board on top of each level

